

LDA Series 19" Rack Mount Enclosure



Features

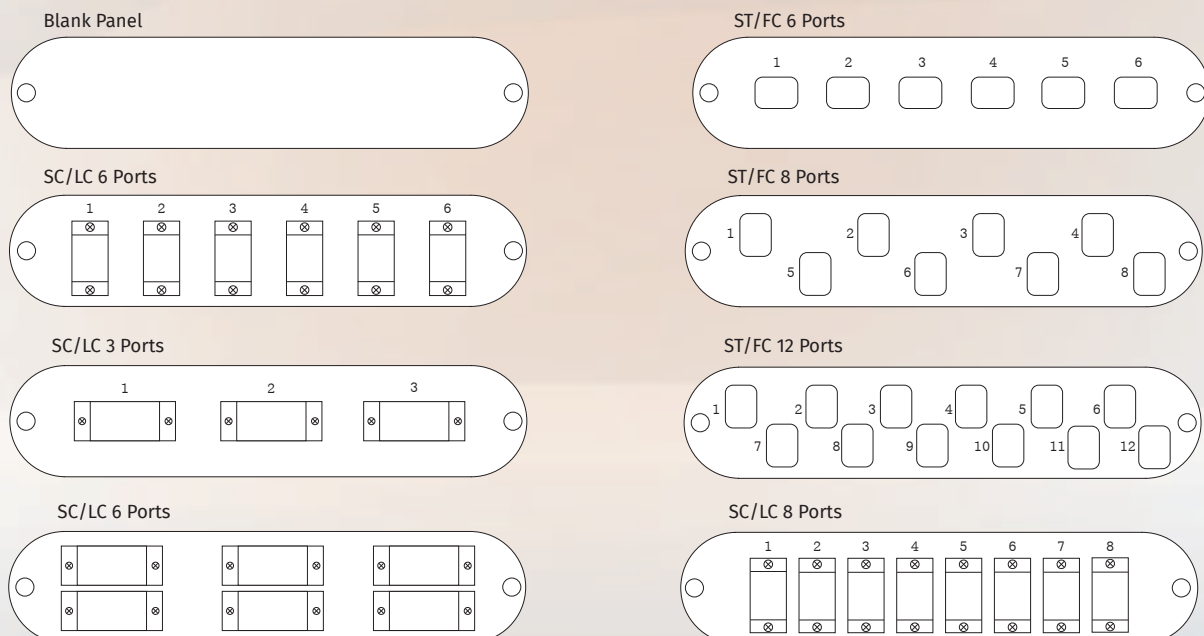
- Available for IEC 60297 and EIA 310 standard;
- Clear front cover for protection and easy identification
- Side cable access and slide out tray design
- Front cable management with routing mounts equipped
- Max. capacity is 288FO if for with 12 adapter panels of 6 ports of LC quad cutting;
- RAL7035 or RAL9005, and RoHS compliant

Specifications

Parameter	SC /LC DX 6 Ports	SC/LC Dx 8 Ports	SC /LC 3 Ports	SC /LC 6 Ports	ST/FC 6 Ports	ST/FC 8 Ports	ST/FC 12 Ports
Front plate type (3pcs)							
Capacity	1U 18/36	24/48	18/36	36/72	18/18	24/24	36/36
	2U 36/72	48/96	36/72	72/144	36/36	48/48	72/72
	3U 54/108	72/144	54/108	108/216	54/54	72/72	144/144
	4U 72/144	96/192	72/144	144/288	72/72	96/96	144/144
No. of Splice Tray (Max.)	1U 1/2	1/2	1/2	2/3	1/1	1/1	1/1
	2U 2/3	2/4	2/3	3/6	2/2	2/2	3/3
	3U 3/5	3/6	3/5	5/9	3/3	3/3	6/6
	4U 3/6	4/8	3/6	6/12	3/3	4/4	6/6
No. of Splicer Tray Holders	1U 2/3	2/4	2/3	3/6	1/1	1/1	1/1
	2U 3/6	4/8	3/6	6/12	2/2	2/2	3/3
	3U 5/9	6/12	5/9	9/18	3/3	3/3	6/6
	4U 6/12	8/16	6/12	12/24	6/6	8/8	8/8

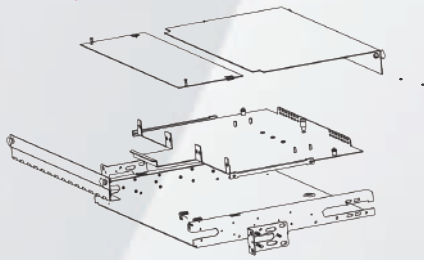
Parameter	1U	2U	3U	4U
Material	Cold Rolled Steel (SPCC)			
Color	Black			
Dimension (Height)	44mm	88mm	133mm	177mm
(width)	483mm	483mm	483mm	483mm
(Depth)	373mm	352mm	352.2mm	380mm
Weight (Net)	6.0kg	7.7kg	8.5kg	6.0kg

Adaptor Plate

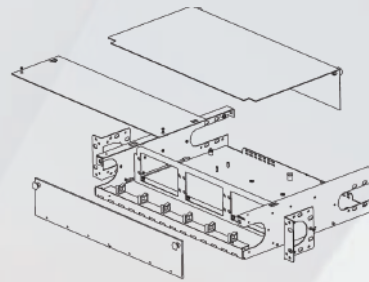


Product Diagram

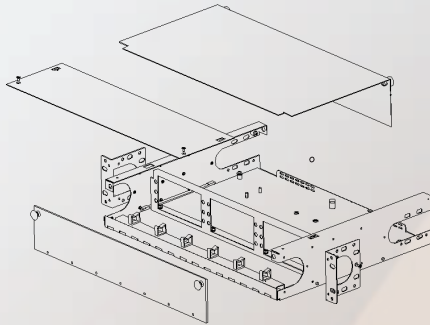
1U type



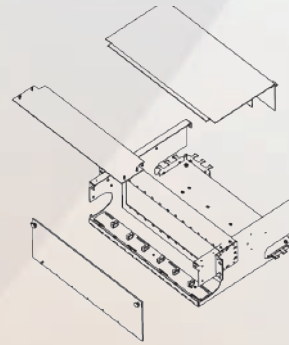
2U type



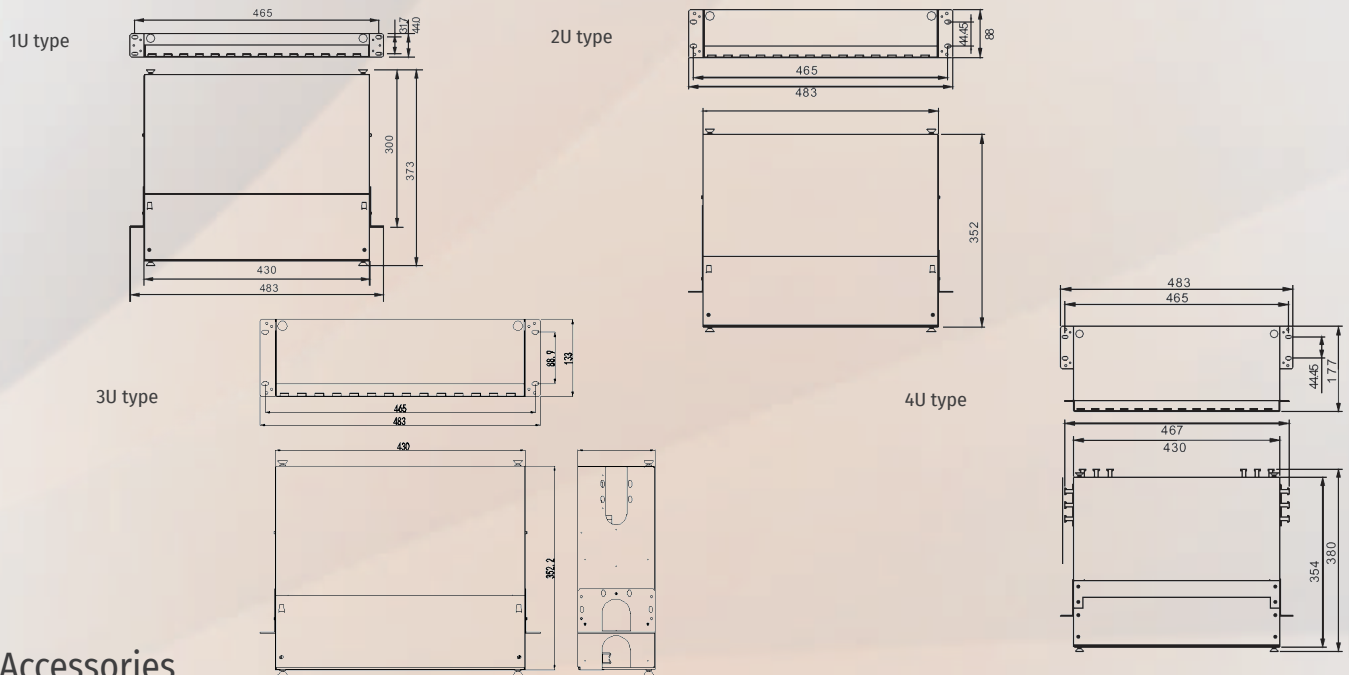
3U type



4U type



Product Dimensions

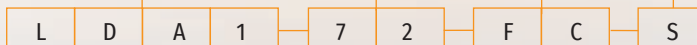


Accessories

- Splice Tray
- Cable Management
- Crown Screw
- Cable Tie Wrap
- Nylon Tie

Ordering Information

PN	Number of Ports	Types of Adapter	Mode Type
LDA 1 - 1U	06 - 06 port	FC - FC adapter	S - Singlemode/UPC
LDA 2 - 2U	12 - 12 port	SC - SC adapter	A - Singlemode/APC
LDA 3 - 3U	24 - 24 port	ST - ST adapter	M - Mutlimode
LDA 4 - 4U	48 - 48 port	LC - LC adapter	3 - OM3 Aqua
	288 - 288 port		4 - OM4



*ordering code example