



LGQ SERIES WALL-MOUNT FIBER ENCLOSURE

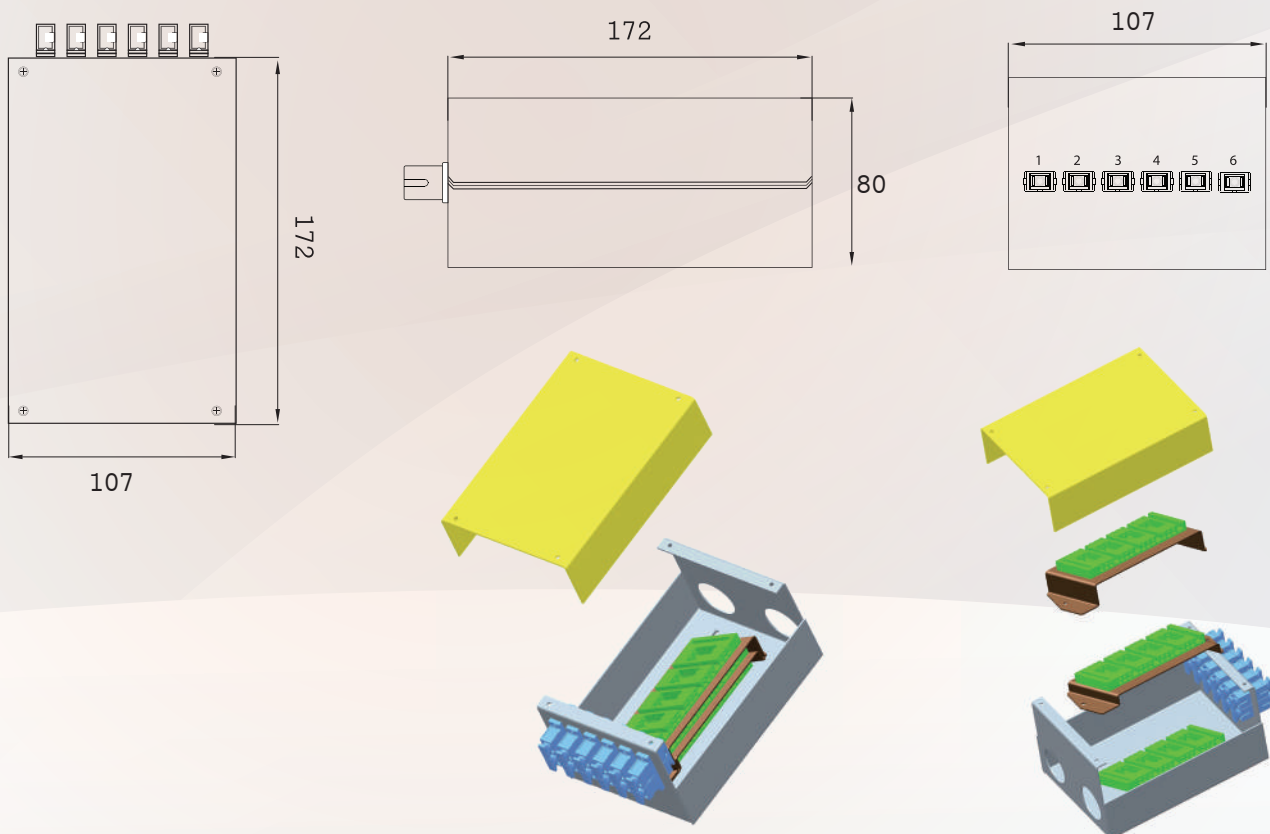
Features

- Very Compact, Light weight, Ruggedized and durable construction
- Suitable for SC, LC, FC or ST adapters.
- Convenient access for installation, maintenance and termination
- Comply with TIA / EIA 568B, Bellcore GR-326, IEC60874-10, Telcordia, JIS IP55 compliance
- Splice tray capacity up to 96

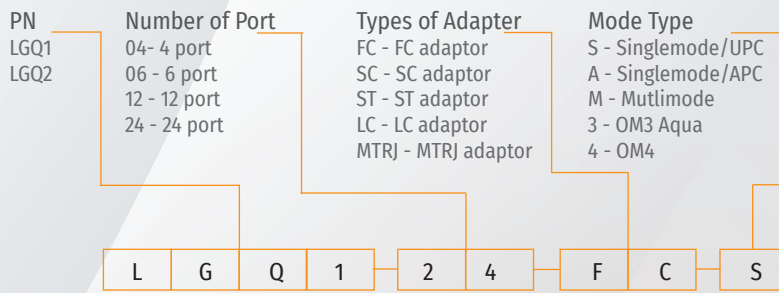
Specifications

Parameter	LGQ1	LGQ2
No. of Cable Entry Ports	2	2
No. of Adaptor Plates (Max.)	≤ 12 (LC24)	≤ 12 (LC24)
No. of Splice Tray (Max.)	1	3 (72 ports splicing)
Material	Metal(cold-rolled steel)	Metal(cold-rolled steel)
Color	Beige	Beige
Dimension (Height)	80mm	80mm
(width)	107mm	107mm
(Depth)	152mm	152mm
Weight (Net)	0.8kg	0.85kg

Product Diagram



Ordering Information



*Ordering code example