

LTXMS Series 19" Slide-out Rack Mount Enclosure



Features

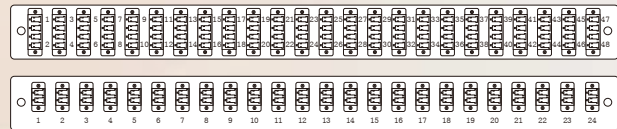
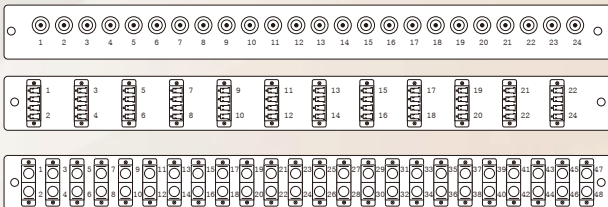
- Slide out design, easy to access the rear and splice tray
- Dual mounting poles for outdoor armored cable
- Front patchcord tray for front & side cable management
- Comply with TIA / EIA 568B.3, Bellcore GR-326, IEC6 0 8 7 4-10, Telcordia, JIS compliance
- Short depth 210mm

Specifications

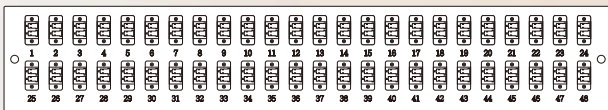
Parameter	1U	2U	3U	4U
No. of Ports (Max.)	≤ 48	≤ 96	≤ 144	≤ 192
	≤ 96(LC port)	≤ 192(LC port)	≤ 288(LC port)	≤ 384(LC port)
No. of Cable Entry Ports	6	4	4	4
No. of Splice Tray (Max.)	2	4	6	8
Material	Aluminum alloy			
Color	Black			
Dimension (Height)	45mm	90mm	125mm	180mm
(width)	460mm	460mm	460mm	460mm
(Depth)	210mm	210mm	210mm	210mm
Weight (Net)	2.7kg	3.2kg	3.5kg	4.1kg

Adaptor Plate

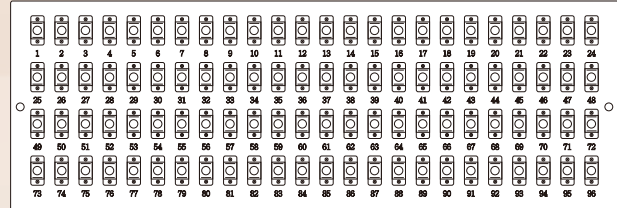
• 1U type



• 2U type

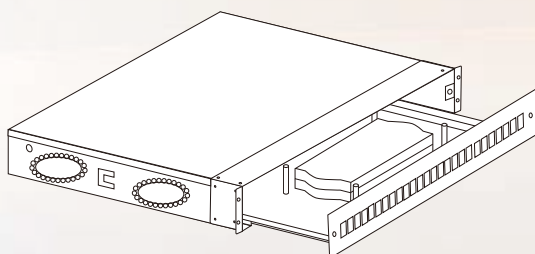


• 4U type

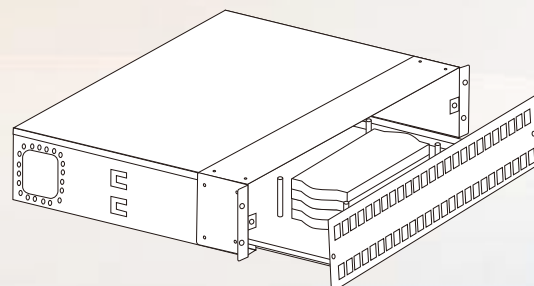


Product Diagram

1U type

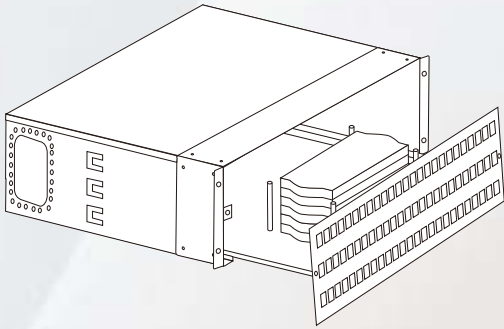


2U type

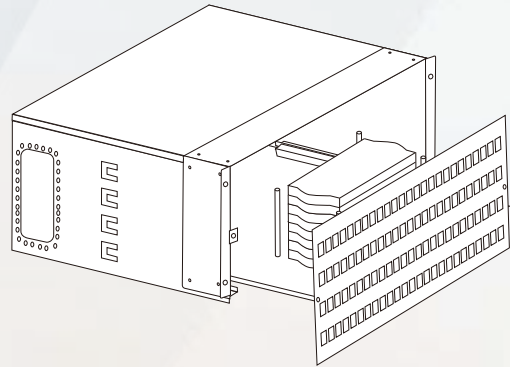


Product Diagram

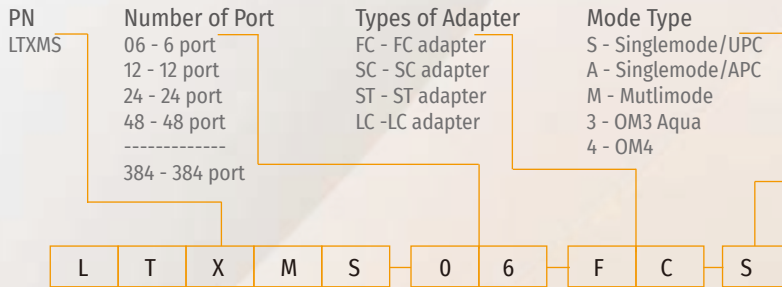
3U type



4U type



Ordering Information



*ordering information example