

LTXM Series 19" Slide-out Rack Mount Enclosure



Features

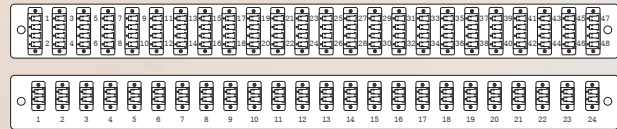
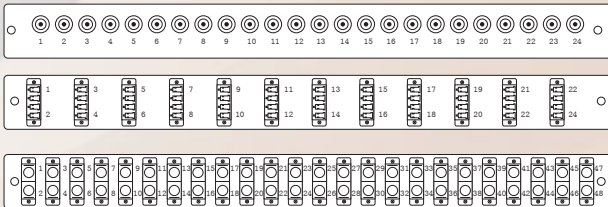
- Slide out design, easy to access the rear and splice tray
- Dual mounting poles for outdoor armored cable
- Track slide out design, easy to access
- Comply with TIA / EIA 568B.3, Bellcore GR-326, IEC6 0 8 7 4-10, Telcordia, JIS compliance
- High density ports, 48 SC and 96 LC at 1U feasible

Specifications

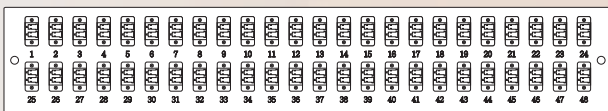
Parameter	1U	2U	3U	4U
No. of Ports (Max.)	≤ 48	≤ 96	≤ 144	≤ 192
	≤ 96(LC port)	≤ 192(LC port)	≤ 288(LC port)	≤ 384(LC port)
No. of Cable Entry Ports	6	4	4	4
No. of Splice Tray (Max.)	2	4	6	8
Material	Cold rolled steel (SPCC)			
Color	Black			
Dimension (Height)	45mm	90mm	125mm	180mm
(width)	460mm	460mm	460mm	460mm
(Depth)	320mm	320mm	320mm	320mm
Weight (Net)	2.7kg	3.2kg	3.5kg	4.1kg

Adaptor Plate

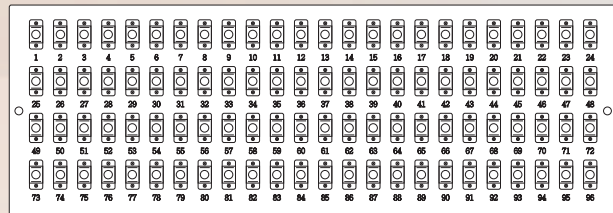
• 1U type



• 2U type

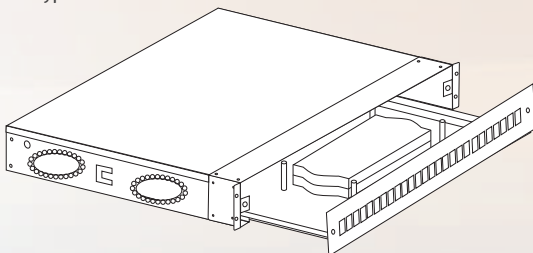


• 4U type

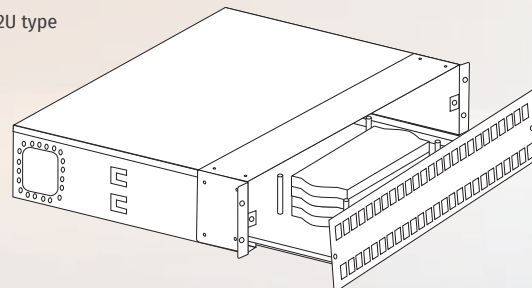


Product Diagram

1U type

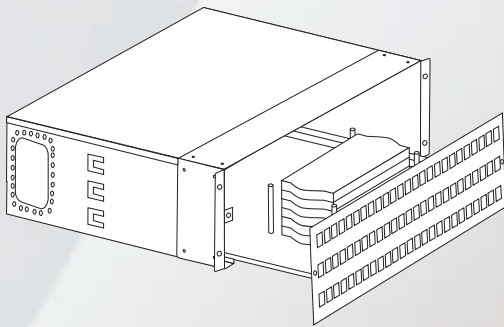


2U type

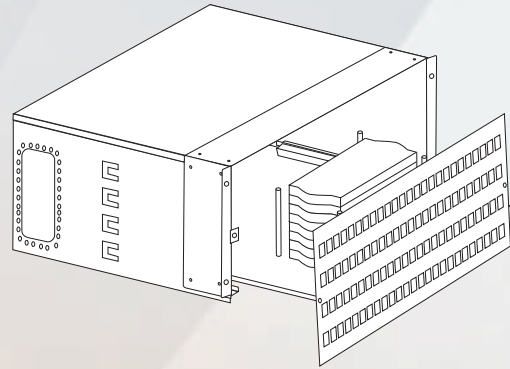


Product Diagram

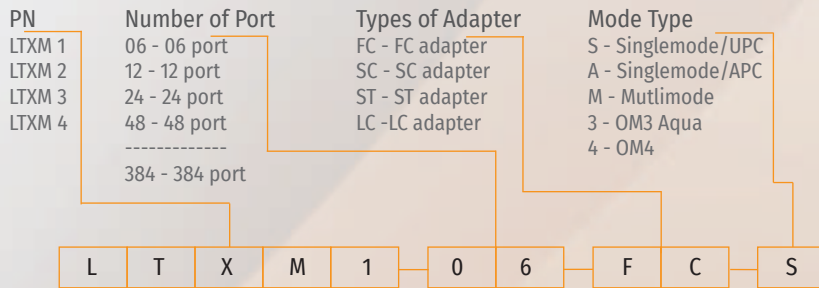
3U type



4U type



Ordering Information



*ordering code example