

Lightem 4Ch CWDM Mux 1470-1610nm, duplex traffic 1 fiber, L3 module package

Lightem 4Ch CWDM Bidi Mux is designed to multiplex 8Ch CWDM (or 4Ch Full Duplex Traffic) 1470-1610nm duplex traffic into one fiber. It is designed to use with A&B Bidi Muxes together to realised 8Ch full duplex traffic over one fiber. It is packaged in a L3 module (Other package is available upon request); with our 19" 1U chassis (P/N: L19-3L3), a 1U rack space can accomodate up to 3 modules. Together with our CWDM Transceiver, the bandwidth of the fiber can be utilized in a cost effective way.

LCBMX-4A



LCBMX-4B

FEATURES

- Coarse WDM ITUT G.6924
- 1470-1610nm
- Based on thin film optics with epoxy free optical path
- Protocol transparent, support 1G, 10G, 100G etc
- Package in L3 modules with 9x LC ports
- 19" 1U Rackmount system supporting Max 3x L3 Modules
- Custom designed with optional features

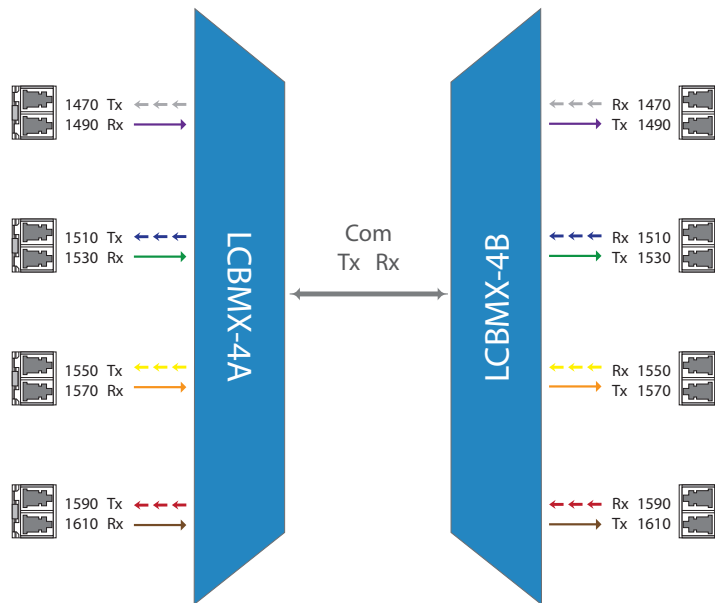
SPECIFICATIONS

Parameter	Unit	Value
<i>Insertion loss IL</i>	dB	Max: 2.9 Typ: 2.6
<i>Mux+Demux IL</i>	dB	Max: 4.1 Typ: 3.9
<i>Center Wavelength</i>	nm	1471-1611nm
<i>Channel Spacing</i>	nm	20
<i>Channel Flatness</i>	dB	< 0.4
<i>Channel Bandwidth</i>	nm	+/- 6.5
<i>Channel Uniformity</i>	dB	< 1.0
<i>Adjacent channel isolation</i>	dB	> 30
<i>Non adjacent channel isolation</i>	dB	> 40
<i>Directivity</i>	dB	> 55
<i>Return Loss</i>	dB	> 50
<i>PDL</i>	dB	< 0.15
<i>PMD</i>	ps	< 0.1
<i>Wavelength thermal stability</i>	nm/°C	< 0.003
<i>Insertion Loss thermal stability</i>	nm/°C	< 0.005
<i>Power Handling</i>	mW	< 500
<i>Operating temperature</i>	°C	0 ~ +70
<i>Storage temperature</i>	°C	-40 ~ +85
<i>Packaging</i>		L3 Module
<i>Dimension</i>	mm	29 x 130 x 160

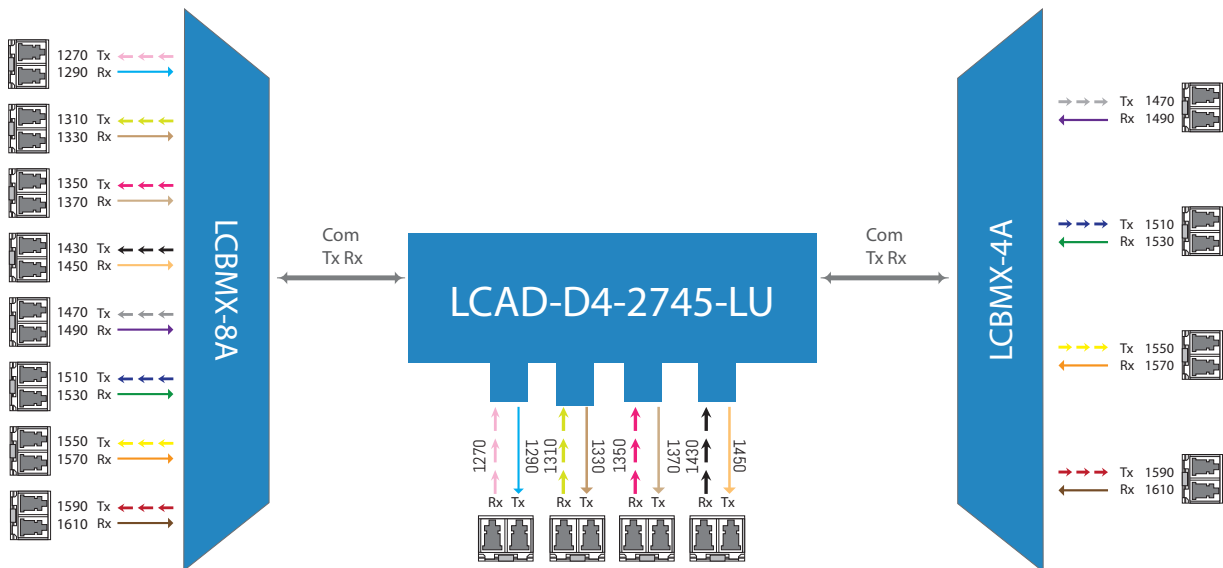
19" 1 U CHASSIS



FUNCTIONAL DIAGRAM



APPLICATION DIAGRAM



ORDERING INFORMATION

P/N	Description
LCBMX-4A*	Lightem 4Ch CWDM Mux 1470-1610nm, duplex traffic 1 fiber L3 module package - A Side
LCBMX-4B*	Lightem 4Ch CWDM Mux 1470-1610nm, duplex traffic 1 fiber L3 module package - B Side

*customized configuration is available upon request