

Lightem 8Ch CWDM Mux 1290-1430 & 1470-1610nm, duplex traffic 1 fiber, L3 module package

Lightem 8Ch CWDM Bidi Mux is designed to multiplex 16Ch CWDM (or 8Ch Full Duplex Traffic) 1290-1430 & 1470-1610nm duplex traffic into one fiber. It is designed to use with A&B Bidi Muxes together to realized 8Ch full duplex traffic over one fiber. It is packaged in a L3 module (Other package is available upon request); with our 19" 1U chassis (P/N: L19-3L3), a 1U rack space can accommodate up to 3 modules. Together with our CWDM Transceiver, the bandwidth of the fiber can be utilized in a cost effective way.

LCBMX-8A



LCBMX-8B

FEATURES

- Coarse WDM ITUT G.692.4
- 1290-1430nm & 1470-1610nm
- Based on thin film optics with epoxy free optical path
- Protocol transparent, support 1G, 10G, 100G etc
- Package in L3 modules with 17x LC ports
- 19" 1U Rackmount system supporting Max 3x L3 Modules
- Custom designed with optional features

SPECIFICATIONS

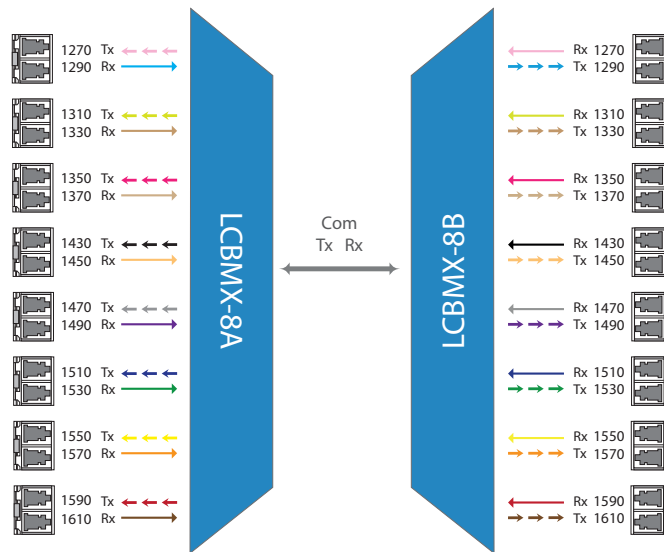
Parameter	Unit	Value
Insertion loss IL	dB	Max: 3.0 Typ: 2.8
Mux+Demux IL	dB	Max: 4.1 Typ: 3.9
Center Wavelength	nm	1291-1431 & 1471-1611
Channel Spacing	nm	20
Channel Flatness	dB	< 0.4
Channel Bandwidth	nm	+/- 6.5
Channel Uniformity	dB	< 1.0
Adjacent channel isolation	dB	> 30
Non adjacent channel isolation	dB	> 40
Directivity	dB	> 55
Return Loss	dB	> 50
PDL	dB	< 0.15
PMD	ps	< 0.1
Wavelength thermal stability	nm/°C	< 0.003
Insertion Loss thermal stability	nm/°C	< 0.005
Power Handling	mW	< 500
Operating temperature	°C	0 ~ +70
Storage temperature	°C	-40 ~ +85
Packaging		L3 Module
Dimension	mm	29 x 130 x 160

TELECOM/DATACOM SYSTEM

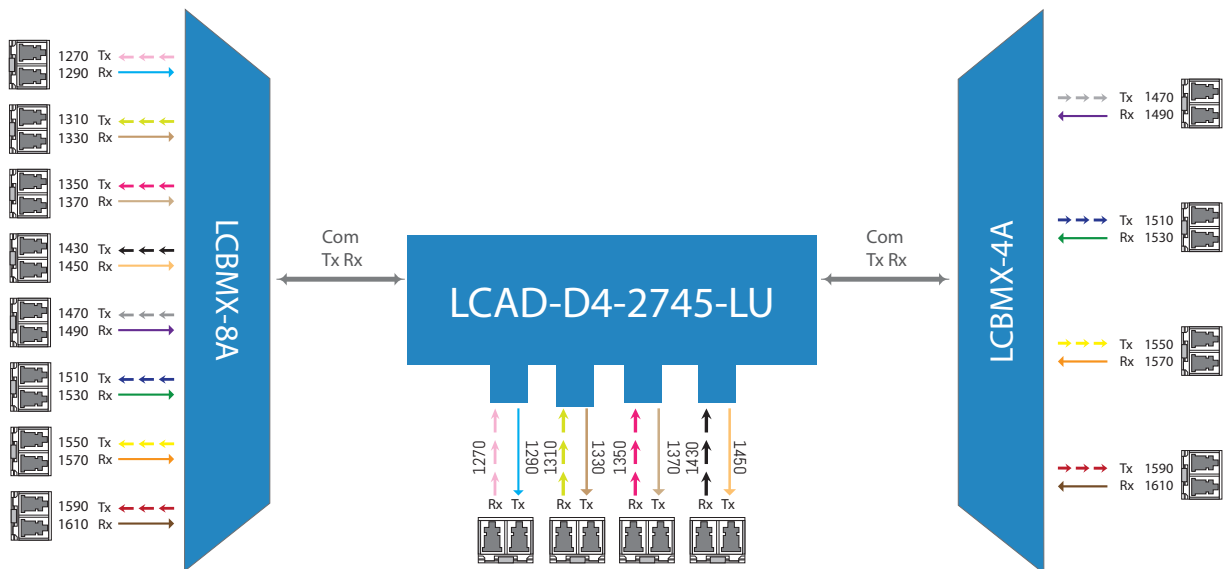
19" 1 U CHASSIS



FUNCTIONAL DIAGRAM



APPLICATION DIAGRAM



ORDERING INFORMATION

P/N	Description
LCBMX-8A*	Lightem 8Ch CWDM Mux 1290-1430 & 1470-1610nm, duplex traffic 1 fiber, L3 module package: Side A
LCBMX-8B*	Lightem 8Ch CWDM Mux 1290-1430 & 1470-1610nm, duplex traffic 1 fiber, L3 module package: Side B

*customized configuration is available upon request